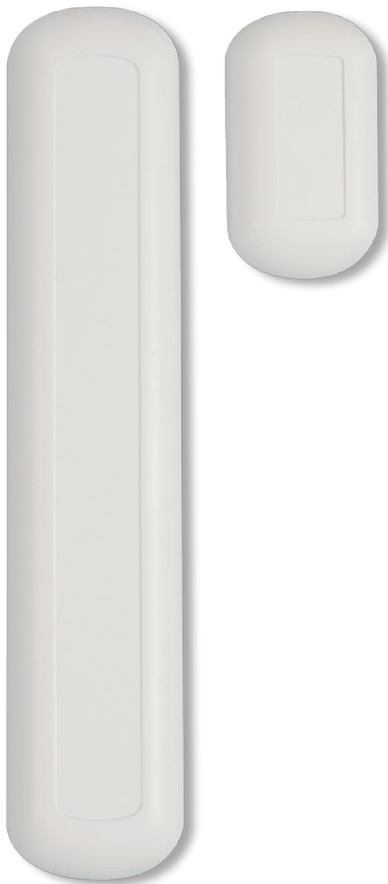


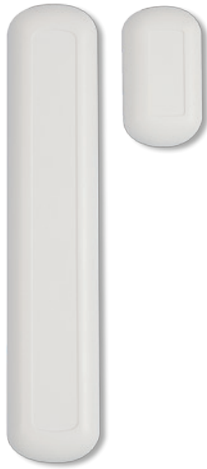
Room Controllers

Wireless Window and Door Switch SED-WIN/SED-DOR

Wireless window and door switch accessories for use in hotels, schools, dorm rooms, and military barracks. Easily installed, they allow monitoring of typical entry points such as doors and windows.



SED-WIN/SED-DOR Wireless Window and Door Switch Features



An easy to install sensor to manage occupancy and optimize HVAC systems according to entry and exit of occupants. The device is suited to monitoring doors and windows.

Introduction

The SED-WIN and SED-DOR communicate wirelessly to Room Controllers, and notifies them when doors or windows are opened. Used in conjunction with a local passive infrared motion sensor (PIR), the devices allow for additional automatic energy savings without sacrificing comfort.

In the lodging industry, the devices offer an opportunity to recover significant lost energy using advanced automatic occupancy detection. Using door and window switches along with a local PIR motion sensor can easily provide approximately 25 - 40% additional energy savings per room. This is achieved by allowing HVAC equipment to be automatically set back or placed in standby mode to reduce unnecessary energy consumption.

Battery Life

The devices have a battery life of 10 years, which allows for easy installation and minimal maintenance costs during the entire life cycle of the switch.

Use and Compatibility

Communicates to any SE8000 series Room Controller using ZigBee Pro wireless communication. A single SE8000 can communicate with 20 switches.

The devices can also be deployed with the SE7000 series Room Controllers, but only with those using the ZigBee Pro extended profile, and only when the SE7000 units are part of a SmartStruxure Lite solution network. In these particular cases, the MPM Manager must be set as ZigBee coordinators as the SE7000 series products cannot be set as coordinators. A single SE7000 in network with a Manager can communicate with 20 switches.

SED-WIN/SED-DOR Product Highlights

- Manage occupancy to optimize the use of HVAC systems with SER8300 and SE7000 product lines
- Wireless functionality requires no new wires
- 10-year battery life reduces maintenance costs



AT A GLANCE

Features and benefits

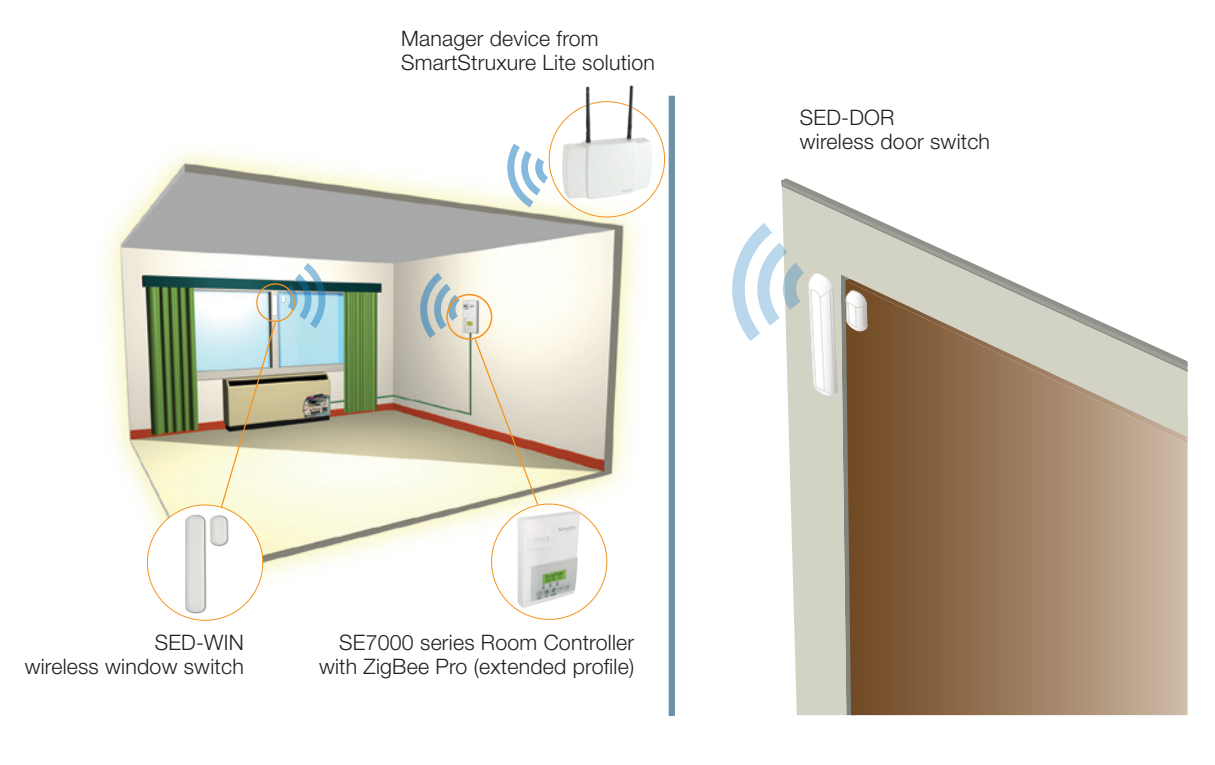
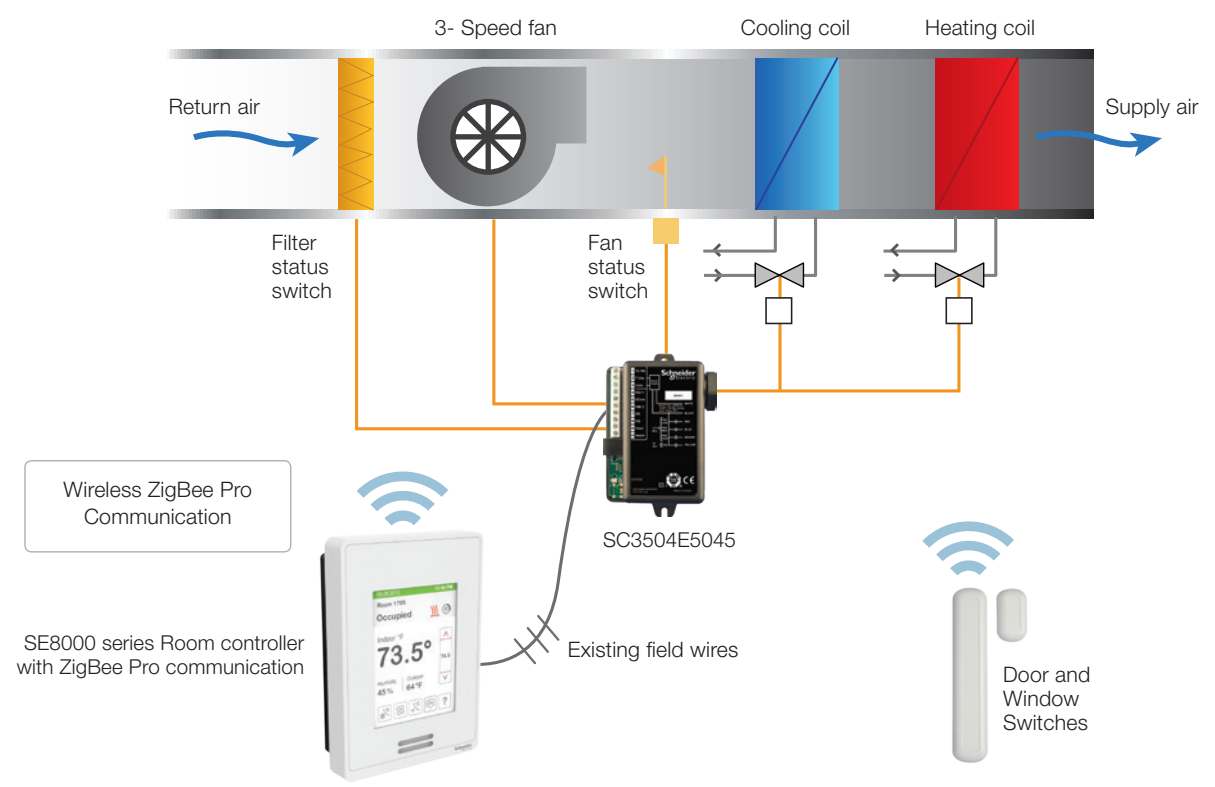
- Complete with magnet, batteries, and required mounting hardware
- Wireless functionality requires no new wires to be installed
- 10-year battery life
- Saves approximately 25-40% of lost energy

Compatibility

- SER8300 series Room Controllers using ZigBee Pro communication
- SE7000 series Room Controllers using ZigBee Pro communication within a SmartStruxure Lite solution network

SED-WIN/SED-DOOR Wireless Door and Window Switch Applications

TYPICAL APPLICATIONS



SED-WIN/SED-DOR Wireless Door and Window Switch

Specifications

Dimensions

Height: 11.8cm/4.63in

Width: 3.9cm/1.55in

Depth: 2.2cm/0.85in

Power Requirements

3.0 VDC 2 x AAA batteries. Factory supplied.

Operating Conditions

0 °C - 50 °C (32 °F - 122 °F)

0% - 95% R.H. non-condensing

Storage Conditions

-30 °C - 50 °C (-22 °F - 122 °F)

0% - 95% R.H. non-condensing

Agency Approvals for all Models

CE: RTTE 1999/5/EC

Agency Approvals Wireless Models

FCC: Compliant to: Part 15, Subpart C

THIS DEVICE COMPLIES WITH PART 15 OF THE FCC RULES. OPERATION IS SUBJECT TO THE FOLLOWING TWO CONDITIONS: (1) THIS DEVICE MAY NOT CAUSE HARMFUL INTERFERENCE, AND (2) THIS DEVICE MUST ACCEPT ANY INTERFERENCE RECEIVED, INCLUDING INTERFERENCE THAT MAY CAUSE UNDESIRE OPERATION.

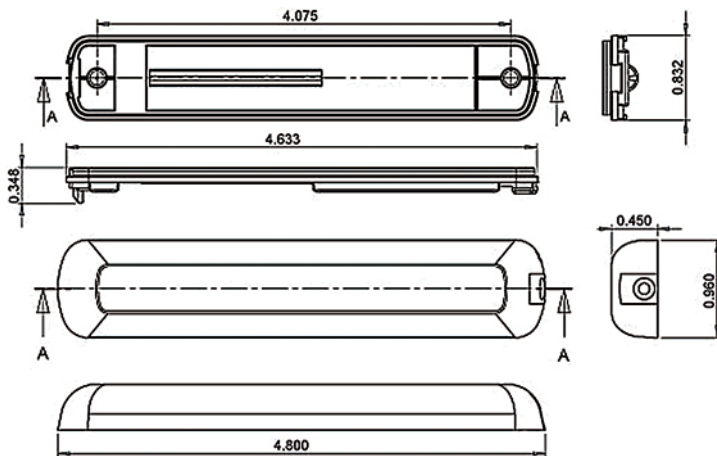
NOTE: THE MANUFACTURER IS NOT RESPONSIBLE FOR ANY RADIO OR TV INTERFERENCE CAUSED BY UNAUTHORIZED MODIFICATIONS TO THIS EQUIPMENT. SUCH MODIFICATIONS COULD VOID THE USER'S AUTHORITY TO OPERATE THE EQUIPMENT.



Check with your local government for instruction on disposal of these products.

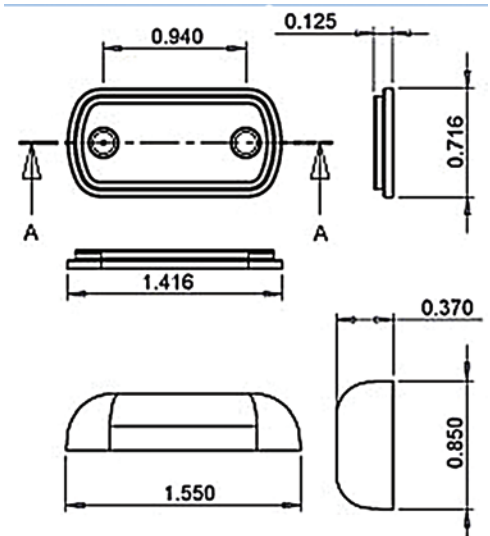
Dimensions

Switch and Switch Base



Measurements in inches

Magnet and Magnet Base



Ordering information

Window Contact

SED-WIN-P-5045

Door Contact

SED-DOR-P-5045

All brand names, trademarks and registered trademarks are the property of their respective owners. Information contained within this document is subject to change without notice.